



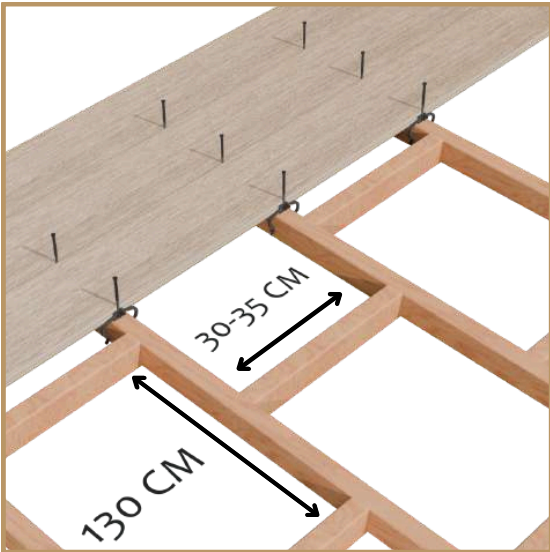
KE R A M A SOLERA INFINITY PLUS

INSTALLATION MANUAL

Juni 2025



TOP 3 IMPORTANT POINTS

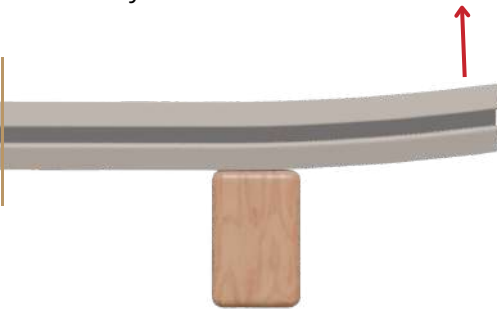


1 JOIST SPACING

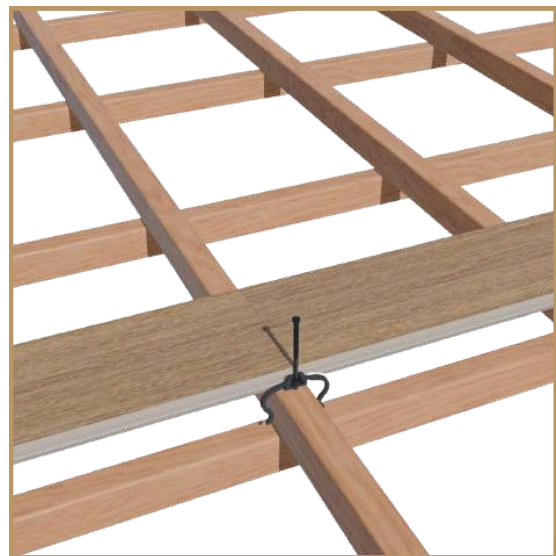
- > Joist spacing: Maximum centre-to-centre distance: 30-35 cm.
- > Herringbone / Diagonal Installation: Maximum centre-to-centre distance: 25 cm.
- > The decking may also be installed directly into the ground.
- > Use cross-bracing every 130 cm.

2 GROUND FASTENING

> If NOT fixed directly to the substrate (e.g. using fence posts), a DOUBLE JOIST FRAME is mandatory.



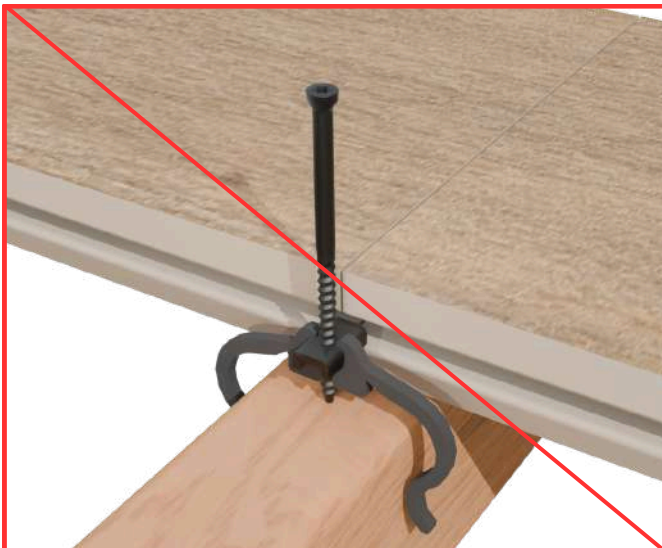
Without ground fixing or a double joist frame, the boards may warp.



DOUBLE JOIST FRAME

3 USAGE OF CLIPS

Never secure the ends of two boards with **only** one clip.



TOOLS



1 WOOD OR COMPOSITE SAW BLADE

> For accurately cutting the decking boards and substructure joists to size.



2 CORDLESS DRILL (WITHOUT HAMMER FUNCTION)

> For securing the Cortex / clips and constructing the substructure.



3 KERAMA CLIPDRIVE

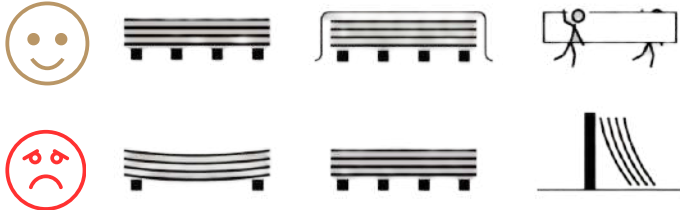
> An ergonomic tool for installing Edgeloc clips while standing.
> Speeds up installation and reduces strain on the back and knees. The weighted nose ensures the screw is engaged easily and quickly.

4 KERAMA BOARD CLAMP

> This tool clamps onto the joist and locks rows of decking boards in place, leaving your hands free to secure the clips.



IMPORTANT POINTS



1 STORAGE

> **Horizontal & Flat:** Always store the boards horizontally on a flat surface.

> **Protection:** Cover the material with a **white, reflective sheet** to protect it from heat build-up caused by direct sunlight.

> **Immediate Installation:** Process the boards immediately after removing the protective covering. This prevents shrinkage and gaps caused by heat exposure.

> **Temperature:** Do not install in extreme temperatures.

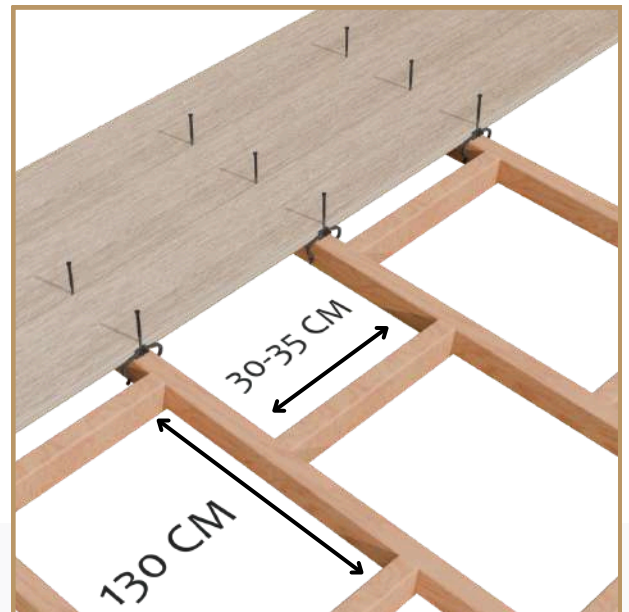
2 SUBSTRUCTURE

> **Joist spacing:** Maximum centre-to-centre distance: **30-35 cm.**

> **Herringbone / Diagonal Installation:** Maximum centre-to-centre distance: **25 cm.**

> **The decking may also be installed directly** into the ground.

> Use cross-bracing every **130 cm.**



> IMPORTANT:

If **NOT** fixed directly to the substrate (e.g. using fence posts), a **DOUBLE JOIST FRAME** is **mandatory**.

Reason: Without **ground fastening** or a **double joist frame**, the boards may **warp** at the ends.



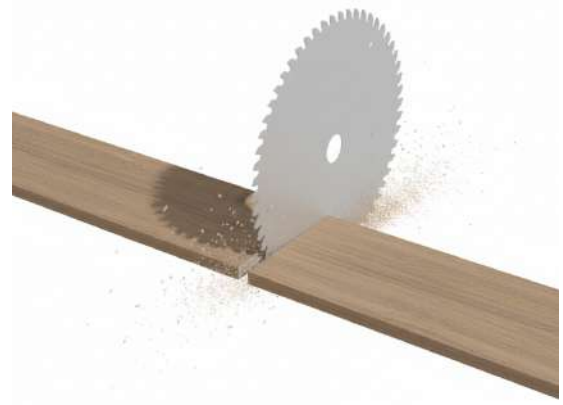
DOUBLE JOIST FRAME

3 CUTTING TO SIZE

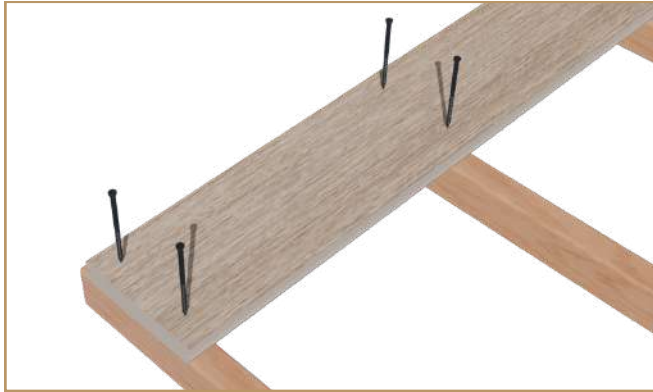
> Cut each board to size.

> Use a **wood saw** and cut accurately to achieve neat end joints.

> Always saw with the **visible** face of the board facing **downwards**.



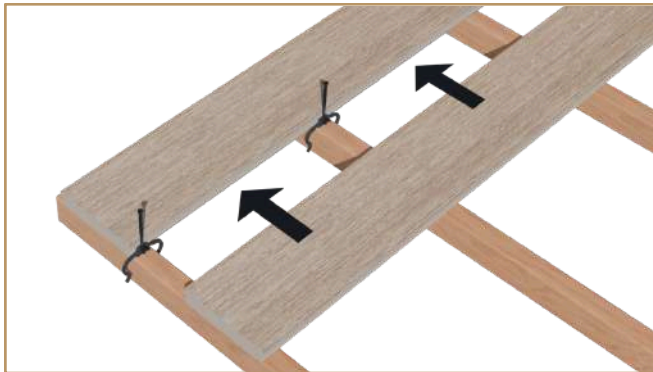
FIXING 4



1

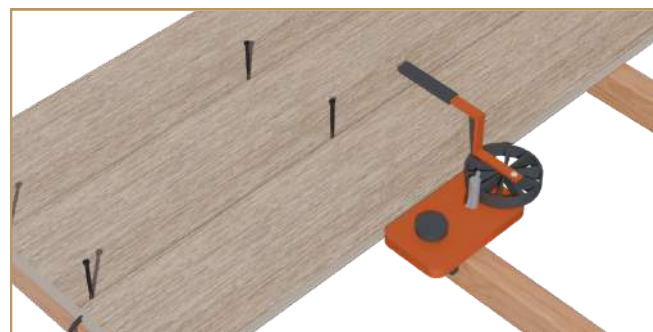
Secure the first and the last board using **Cortex screws**. Use a full board for the first and last row if the sides remain visible.

> When using Cortex fixings, always apply two screws at each intersection with the joist.



2

Install the subsequent boards, placing **Edgeloc** fixings between each board.



3

Secure the boards using the **Kerama Board Clamp** (maximum 10 boards at a time). Then fasten the **Edgeloc** clips from above with screws.

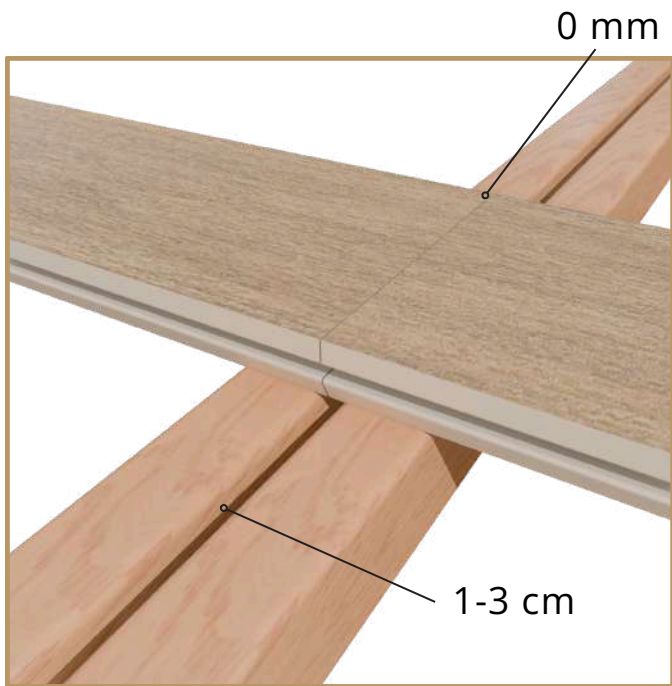
> IMPORTANT:

Always secure the ends of each board using two separate clips.



OR





5 EXPANSION

> Under normal conditions, the boards are installed tightly against each other, without an **expansion gap** at the end joints.

> Important installation conditions

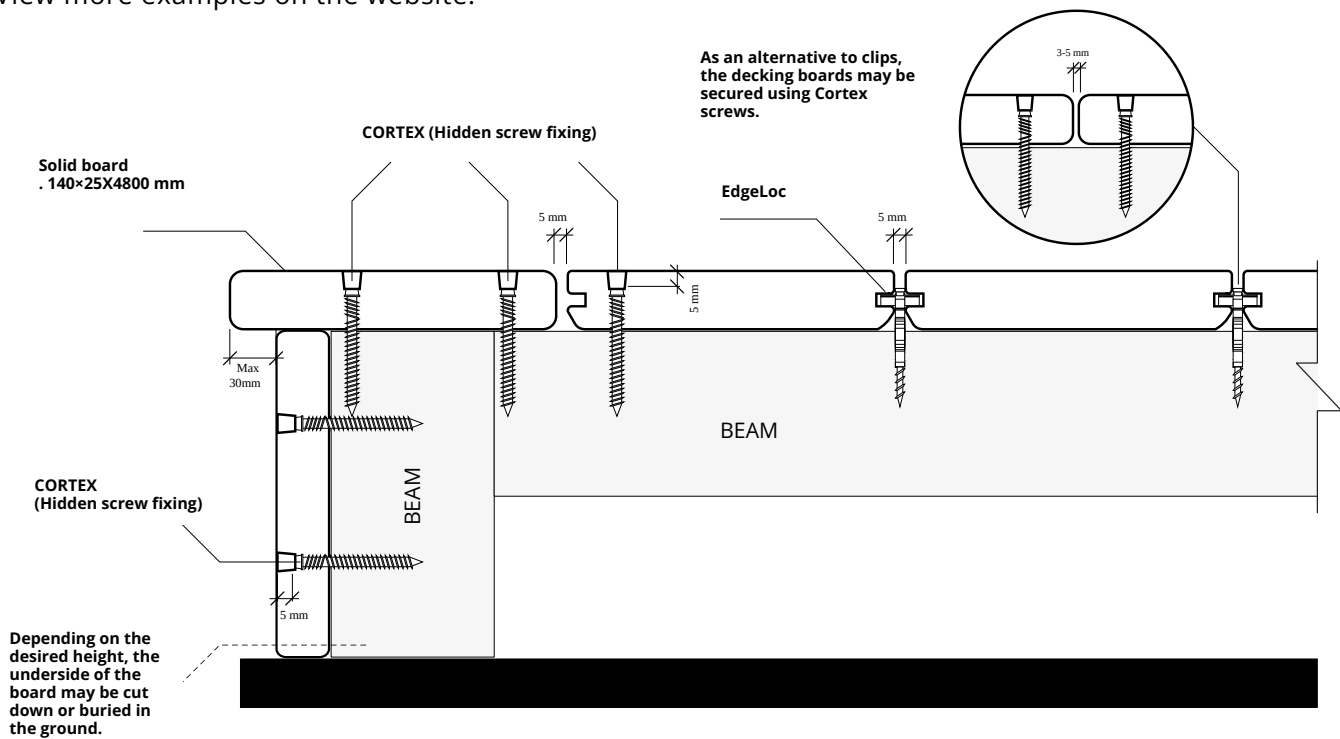
> Installation at temperatures below **0°C** and above **30°C** is strongly discouraged.

> Remove the boards from the pallet and **install them as quickly as possible** to prevent them from heating up in direct sunlight.

> Do not install boards that have already become excessively heated due to **direct sunlight**.

6 FINISHING

> View more examples on the website.



7 MAINTENANCE

The boards guarantee UV resistance without visible discolouration. Over time, the material may become dirty. Cleaning can be carried out using water and a mild detergent; careful use of a pressure washer is permitted.

8 REPLACING BOARDS



1

Loosen the screws of the clips on both sides of the board to be removed.

2

Lift the board upwards to remove it easily.

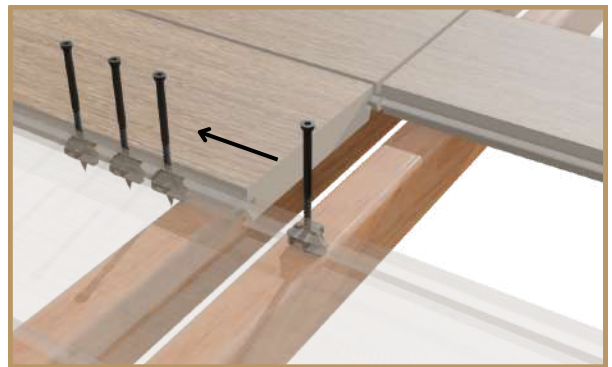


3

Break off the legs of each clip.

4

Slide the loosened clips sideways into the groove of the adjacent boards. Clean the joists and position the new decking board in place.



5

Slide the clips back into position and securely fasten them.

K E R A M A

KERAMA GROUP B.V.

Braillestraat 10
2652 XV,
Berkel en Rodenrijs
The Netherlands

+31 (0) 174 788 350
info@keramagroup.nl

www.keramagroup.com